



TEMPERATURE

INFRARED ROOM TEMPERATURE TRANSMITTER

TY7321A1009

YAMATAKE

DESCRIPTION

The **Yamatake Model TY7321** is a non-contact infrared room radiant-temperature transmitter. Infrared energy is one of the main components of the perceived temperature in a space. The **Model TY7321** has a wide 52° fixed viewing angle which averages the heat energy of the office environment and offers a 1-5 VDC signal for temperature. It mounts conveniently to any ceiling or wall via back box or direct to ceiling tiles or plaster. The lens coverage is adjustable and points horizontally up to 344° and vertically up to 65°.

FEATURES

- **Non-contact with 52° view angle**
- **1 to 5 VDC signal, 32° to 122°F (0° to 50°C)**
- **Ten-second response**
- **344° swivel coverage**
- **Ceiling or wall mount**
- **Attractive white base and cover**
- **Use isn ice rink and lobbies**



TY7321A1009

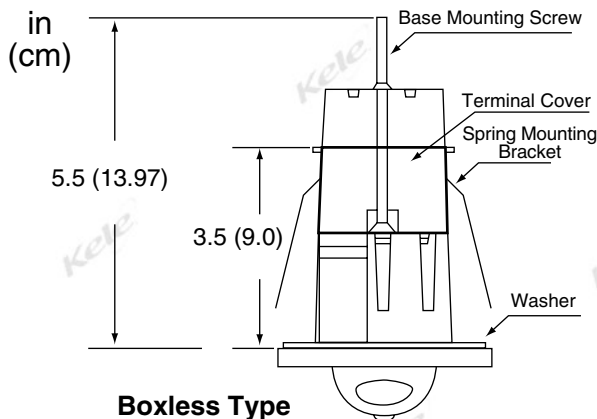
SPECIFICATIONS

Supply Voltage	24 VAC ±15% (50/60 Hz), 0.3 VA
Signal Output	1-5 VDC
Accuracy	±3.6°F (2°C)
Sensor Range	32° to 122°F (0° to 50°C)
Sensor Coverage	Adjustable (344 degrees horizontal/65 degrees vertical)
Sensing Distance	Unlimited (without obstructions)
View Angle	52 degrees, distance to sensing = 1:1
Response Time	10 sec
Emissivity	0.95
Operating Temperature	59° to 95°F (15° to 35°C)
Operating Humidity	10% to 90% RH non-condensing
Enclosure Rating	Fire-resistant plastic (white)
Weight	0.6 lb (0.27 Kg)
Warranty	1 year

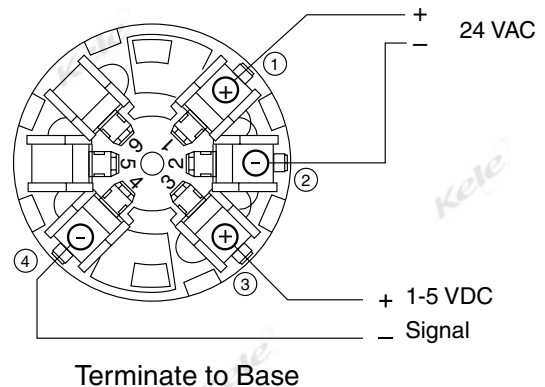
APPLICATION

The **TY7321A1009** is used when mounting a physical sensor is not possible in room applications. The thermopile senses the background heat radiation over an open-air environment and averages the energy into a 1-5V temperature signal. It is ideal in open office environments when the cubical walls prevent sensor mounting. Museums or marble entrance halls are also useful ceiling applications. When directed at a sun-drenched outdoor window, the unit measures the effects from the sun so that the supply air can be increased to compensate for thermal loading.

DIMENSIONS



WIRING



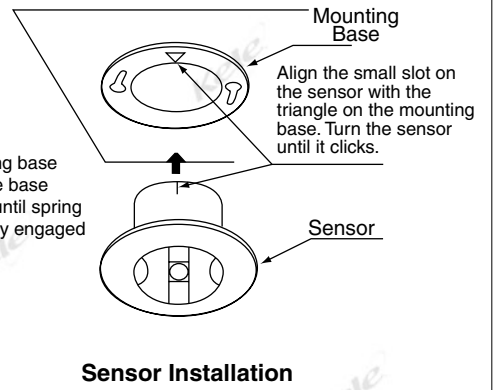
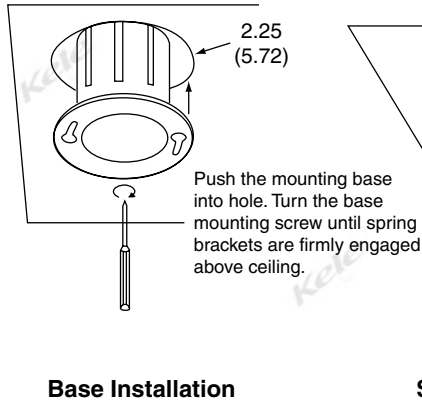
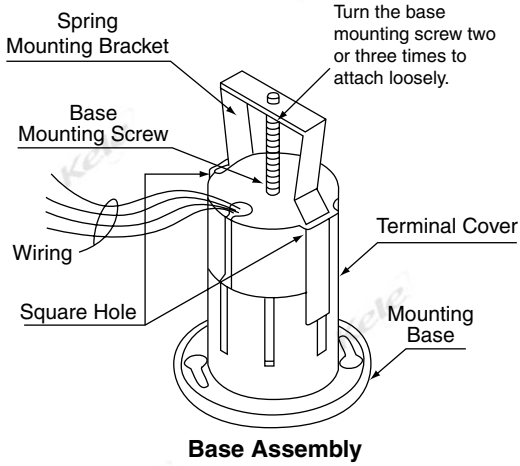
TEMPERATURE

INFRARED ROOM TEMPERATURE TRANSMITTER

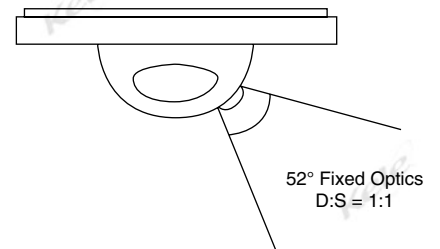
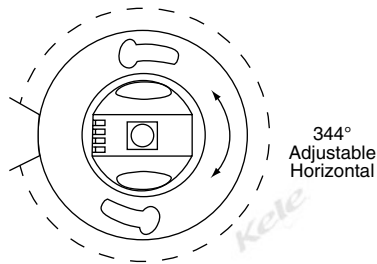
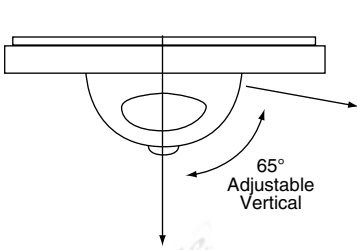
TY7321A1009



MOUNTING



MOUNTING



ORDERING INFORMATION

MODEL	DESCRIPTION
TY7321A1009	Infrared room temperature transmitter, ceiling mount

691-K0A	RELATED PRODUCTS
	Control transformer, 120:24 VAC, 40 VA, Class 2